

Non Return Valves Type VCH 30, VCH 60 and VCH 120



Design and function

The function of the non-return valve is to allow flow in one direction while blocking it in the other.

The valve incorporates a conical poppet design, which ensures sealing with a low viscosity medium such as water.

Features

The non-return valve is produced in stainless steel AISI 304 L/W.No. 1.4301

Variants

The valves are available for flows of 30 l/min, 60 l/min and 120 l/min.

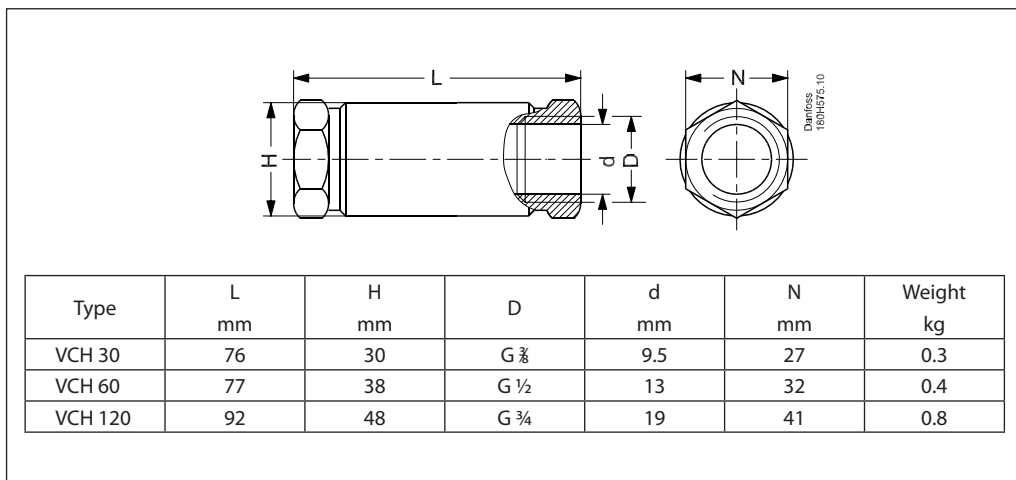
Technical data and Code numbers

Type	Max. pressure bar	Flow continuously l/min	Opening pressure bar	Pressure loss at max. flow bar	Code number
VCH 30	300	30	0.5	2.5	180H0114
VCH 60	300	60	0.3	2.5	180H0115
VCH 120	300	120	0.5	2.5	180H0116

Filtration

The Water must be clean (according to the EU drinking water directives 98/83/EC) and must be free from abrasive sediments.

Dimensions



Danfoss can accept no responsibility for possible errors in catalogues, brochures and other printed material. Danfoss reserves the right to alter its products without notice. This also applies to products already on order provided that such alterations can be made without subsequential changes being necessary in specifications already agreed. All trademarks in this material are property of the respective companies. Danfoss and the Danfoss logotype are trademarks of Danfoss A/S. All rights reserved.



DK-6430 Nordborg
Denmark