

# QH-STYLE SPECIFICATIONS

## TECHNICAL DATA SHEET



- 1. Shell & cap / Main body: FRP
- 3. Support legs: SS 316
- 4. Inlet flange: FRP
- 5. Outlet flange: FRP
- 6. Air vent: FRP
- 7. Clean drain: FRP
- 8. Deflector plate: FRP
- 9. Tube sheet: PVC/FRP
- 10. Guide plate: PVC/PP
- 11. Lifting lugs: FRP
- 14. Main body gaskets: EPDM
- 15. Support rod: PA + FRP
- 16. Cartridge element: PP
- 17. Dirty drain: FRP
- 18. O-ring support plate: PVC
- 19. Structural plate: FRP
- 20. Securing rings: PP
- 21. Locking rings: PP

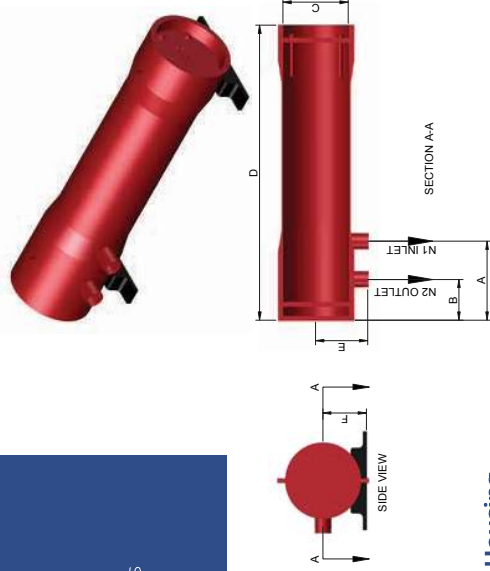
### MATERIALS

OUR STANDARD FILTER HOUSINGS ARE DESIGNED WITH PIEDMONT CONNECTION TO YOUR PIPING. HOIST (LIFTING ARM) OPTIONAL. COURTESY (OR SIMILAR) FOR A MORE ECONOMIC AND SIMPLE



### CHARACTERISTICS

- Flow rates: 10-550 m<sup>3</sup>/h
- N° elements: 3-70
- Elements length: 30/40/50/70
- Cartridge flow: Outside-inside
- Housing layout: Horizontal
- Features: Quick opening, no bolts
- Ideal: Modular/skid/ container
- Design pressure: 6/10 bar



### QH-STYLE Quick Opening Cartridge Filter Housing

Filter Housing model reference	Cartridges Qty. x Length	Flow at 0,68 m <sup>3</sup> /h per 10 <sup>3</sup>	Flow at 380m <sup>3</sup> -480m <sup>3</sup> per 10 <sup>3</sup>	Flow at 1,12 m <sup>3</sup> /h per 10 <sup>3</sup>	N1 / N2 (inch/mm)	A (inch/mm)	B (inch/mm)	C (inch/mm)	D (inch/mm)	E (inch/mm)	F (inch/mm)
QHPCF3-30	3 x 30	27 / 6	36 / 8	45 / 10	1,5 / 40	9 / 235	3 / 85	6 / 150	41 / 1046	6 / 150	7 / 175
QHPCF3-40	3 x 40	36 / 8	48 / 11	60 / 13	2 / 40	9 / 235	3 / 85	6 / 150	51 / 1300	6 / 150	7 / 175
QHPCF3-50	3 x 50	45 / 10	60 / 14	75 / 17	2 / 50	9 / 235	3 / 85	6 / 150	61 / 1554	6 / 150	7 / 175
QHPCF3-60	5 x 30	45 / 10	60 / 14	75 / 17	2 / 50	9 / 235	3 / 85	8 / 200	41 / 1046	7 / 180	8 / 200
QHPCF3-40	5 x 40	60 / 14	80 / 18	100 / 22	2,5 / 80	9 / 235	3 / 85	8 / 200	51 / 1300	7 / 180	8 / 200
QHPCF3-50	5 x 50	75 / 17	100 / 23	125 / 28	2,5 / 80	9 / 235	3 / 85	8 / 200	61 / 1554	7 / 180	8 / 200
QHPCF3-60	6 x 30	54 / 12	72 / 16	90 / 20	2 / 50	17 / 443	8 / 200	10 / 250	61 / 1559	8 / 210	9 / 225
QHPCF3-40	6 x 40	72 / 16	96 / 22	120 / 27	2,5 / 80	17 / 443	8 / 200	10 / 250	71 / 1813	8 / 210	9 / 225
QHPCF3-50	6 x 50	90 / 20	120 / 27	150 / 34	2,5 / 80	17 / 443	8 / 200	10 / 250	81 / 2067	8 / 210	9 / 225
QHPCF3-30	12 x 30	108 / 24	144 / 33	180 / 40	3 / 80	19 / 473	9 / 230	12 / 300	61 / 1559	10 / 260	10 / 250
QHPCF3-40	12 x 40	144 / 33	192 / 44	240 / 54	4 / 80	19 / 473	9 / 230	12 / 300	71 / 1813	10 / 260	10 / 250
QHPCF3-50	12 x 50	180 / 45	240 / 55	300 / 67	4 / 100	19 / 473	9 / 230	12 / 300	81 / 2067	10 / 260	10 / 250
QHPCF2-30	22 x 30	198 / 45	264 / 60	330 / 74	4 / 100	19 / 473	9 / 230	16 / 400	61 / 1559	12 / 310	12 / 300
QHPCF2-40	22 x 40	264 / 60	352 / 80	440 / 99	6 / 125	19 / 473	9 / 230	16 / 400	71 / 1813	12 / 310	12 / 300
QHPCF2-50	22 x 50	330 / 75	440 / 100	550 / 123	6 / 125	19 / 473	9 / 230	16 / 400	81 / 2067	12 / 310	12 / 300
QHPCF3-30	35 x 30	315 / 71	420 / 96	525 / 118	6 / 125	21 / 533	10 / 255	20 / 500	62 / 1579	14 / 360	14 / 350
QHPCF3-40	35 x 40	420 / 95	560 / 127	700 / 157	6 / 150	21 / 533	10 / 255	20 / 500	72 / 1833	14 / 360	14 / 350
QHPCF3-50	35 x 50	525 / 119	700 / 159	875 / 196	6 / 200	21 / 533	10 / 255	20 / 500	82 / 2087	14 / 360	14 / 350
QHPCF3-30	50 x 30	450 / 102	600 / 137	750 / 168	6 / 150	22 / 568	10 / 255	24 / 600	63 / 1599	16 / 410	16 / 400
QHPCF3-40	50 x 40	600 / 136	800 / 182	1000 / 224	8 / 200	22 / 568	10 / 255	24 / 600	73 / 1853	16 / 410	16 / 400
QHPCF3-50	50 x 50	750 / 170	1000 / 228	1250 / 280	8 / 200	22 / 568	11 / 280	24 / 600	83 / 2107	16 / 410	16 / 400
QHPCF3-30	70 x 30	630 / 143	840 / 191	1050 / 235	8 / 200	24 / 620	11 / 280	28 / 700	64 / 1619	20 / 500	18 / 450
QHPCF3-40	70 x 40	840 / 190	1120 / 255	1400 / 314	8 / 200	25 / 629	11 / 280	28 / 700	74 / 1873	20 / 500	18 / 450
QHPCF3-50	70 x 50	1050 / 238	1400 / 319	1750 / 392	10 / 250	25 / 629	12 / 305	28 / 700	84 / 2127	20 / 500	18 / 450
QHPCF3-70	70 x 70	1470 / 333	1950 / 446	2450 / 549	10 / 300	25 / 629	12 / 305	28 / 700	104 / 2635	20 / 500	18 / 450