

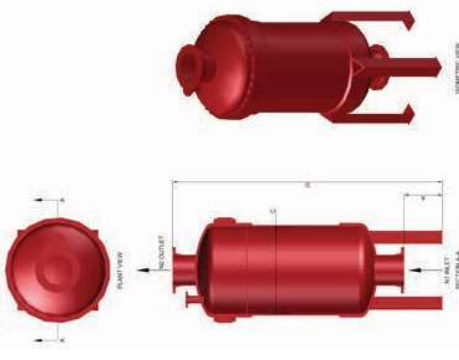
XB-STYLE SPECIFICATIONS

TECHNICAL DATA SHEET



CHARACTERISTICS

Flow rates: 275-2500 m³/h
 N° elements: 101-370
 Elements length: 30/40/50/70
 Cartridge flow: Outside-inside
 Housing layout: Vertical
 Features: Bottom/side inlet top outlet
 davit arm available
 cartridge removal as package
 Optional: Swing bolts
 Ideal: High flows and stand alone
 Design pressure: 6/10 bar



XB-STYLE

Bottom Inlet type Higher Flow Cartridge Filter Housing

Filter Housing model reference	Cartridges		Flow at 0.5m/1h per 10"	Flow at 1gpm/1h per 10"	N1/N2 (inch/mm)	A (inch/mm)	C (inch/mm)	D (inch/mm)
	Qty./inch	Length						
XBFCF101-40	101 X 40	1212 / 275	1616 / 368	2020 / 452	10 / 250	27 / 684	31 / 800	116 / 2948
XBFCF101-50	101 X 50	1515 / 343	2020 / 460	2525 / 566	12 / 300	30 / 760	31 / 800	129 / 3278
XBFCF125-40	125 X 40	1500 / 340	2000 / 455	2500 / 560	12 / 300	31 / 799	35 / 900	123 / 3127
XBFCF125-50	125 X 50	1875 / 425	2500 / 569	3125 / 700	12 / 300	31 / 799	35 / 900	133 / 3381
XBFCF125-70	125 X 70	2625 / 595	3500 / 796	4375 / 980	14 / 350	35 / 900	35 / 900	157 / 3990
XBFCF160-40	160 X 40	1500 / 340	2000 / 455	2500 / 560	12 / 300	31 / 799	39 / 1000	127 / 3226
XBFCF160-50	160 X 50	2400 / 544	3200 / 728	4000 / 896	14 / 350	35 / 900	39 / 1000	141 / 3581
XBFCF160-70	160 X 70	3360 / 762	4480 / 1019	5600 / 1254	16 / 400	40 / 1008	39 / 1000	165 / 4197
XBFCF195-40	195 X 40	1920 / 435	2560 / 582	3200 / 717	14 / 350	35 / 900	43 / 1100	136 / 3456
XBFCF195-50	195 X 50	2925 / 663	3900 / 887	4875 / 1092	16 / 400	38 / 976	43 / 1100	149 / 3786
XBFCF195-70	195 X 70	4095 / 928	5460 / 1242	6825 / 1529	18 / 450	44 / 1111	43 / 1100	174 / 4429
XBFCF240-40	240 X 40	2340 / 530	3120 / 710	3900 / 874	14 / 400	35 / 900	47 / 1200	140 / 3555
XBFCF240-50	240 X 50	3600 / 816	4800 / 1092	6000 / 1344	16 / 400	40 / 1008	47 / 1200	154 / 3917
XBFCF240-70	240 X 70	5040 / 1142	6720 / 1529	8400 / 1882	20 / 500	48 / 1211	47 / 1200	182 / 4628
XBFCF300-40	280 X 40	2880 / 653	3840 / 874	4800 / 1075	16 / 400	40 / 1008	51 / 1300	149 / 3792
XBFCF300-50	280 X 50	4200 / 952	5600 / 1274	7000 / 1568	18 / 450	44 / 1111	51 / 1300	163 / 4149
XBFCF300-70	280 X 70	5880 / 1333	7940 / 1784	9800 / 2195	20 / 550	48 / 1211	51 / 1300	187 / 4757
XBFCF315-40	315 X 40	3360 / 762	4480 / 1019	5600 / 1254	16 / 450	40 / 1008	55 / 1400	152 / 3858
XBFCF315-50	315 X 50	4725 / 1071	6300 / 1433	7875 / 1764	18 / 500	44 / 1111	55 / 1400	166 / 4215
XBFCF315-70	315 X 70	6615 / 1499	8820 / 2007	11025 / 2470	24 / 550	54 / 1363	55 / 1400	196 / 4975
XBFCF370-40	370 X 40	3780 / 857	5040 / 1147	6300 / 1411	18 / 450	44 / 1111	59 / 1500	158 / 4025
XBFCF370-50	370 X 50	5550 / 1258	7400 / 1684	9350 / 2072	20 / 500	48 / 1211	59 / 1500	172 / 4379
XBFCF370-70	370 X 70	7770 / 1761	10360 / 2357	12950 / 2901	24 / 600	55 / 1404	59 / 1500	200 / 5080

MATERIALS

1. Shell & cap / Main body: FRP
2. Closure cover plate: FRP
3. Support legs: Carbon Steel painted
4. Inlet flange: FRP
5. Outlet flange: FRP
6. Air vent: FRP
7. Clean drain: FRP
8. Deflector plate: FRP
9. Tube sheet: PVC/FRP
10. Guide plate: PVC/PP
11. Lifting lugs: FRP
12. Closure bolts: SS 316
13. Main body gaskets: EPDM
15. Support rod: PA + FRP
16. Cartridge element: PP
22. Internal support rod: FRP + PA

